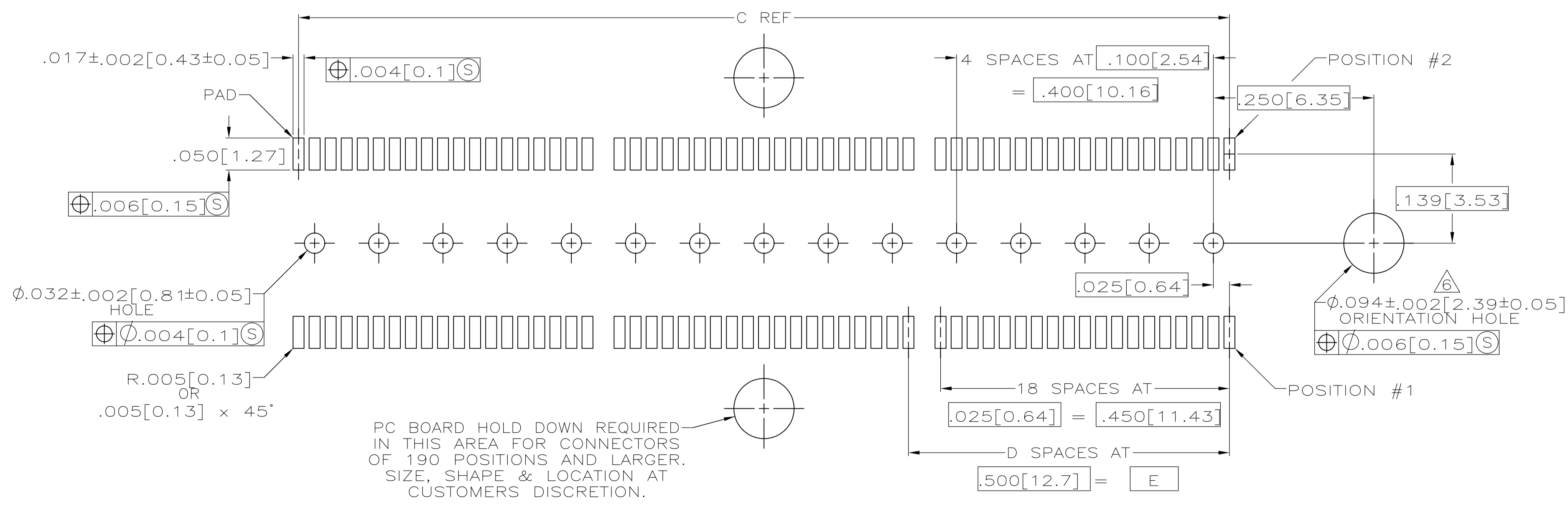
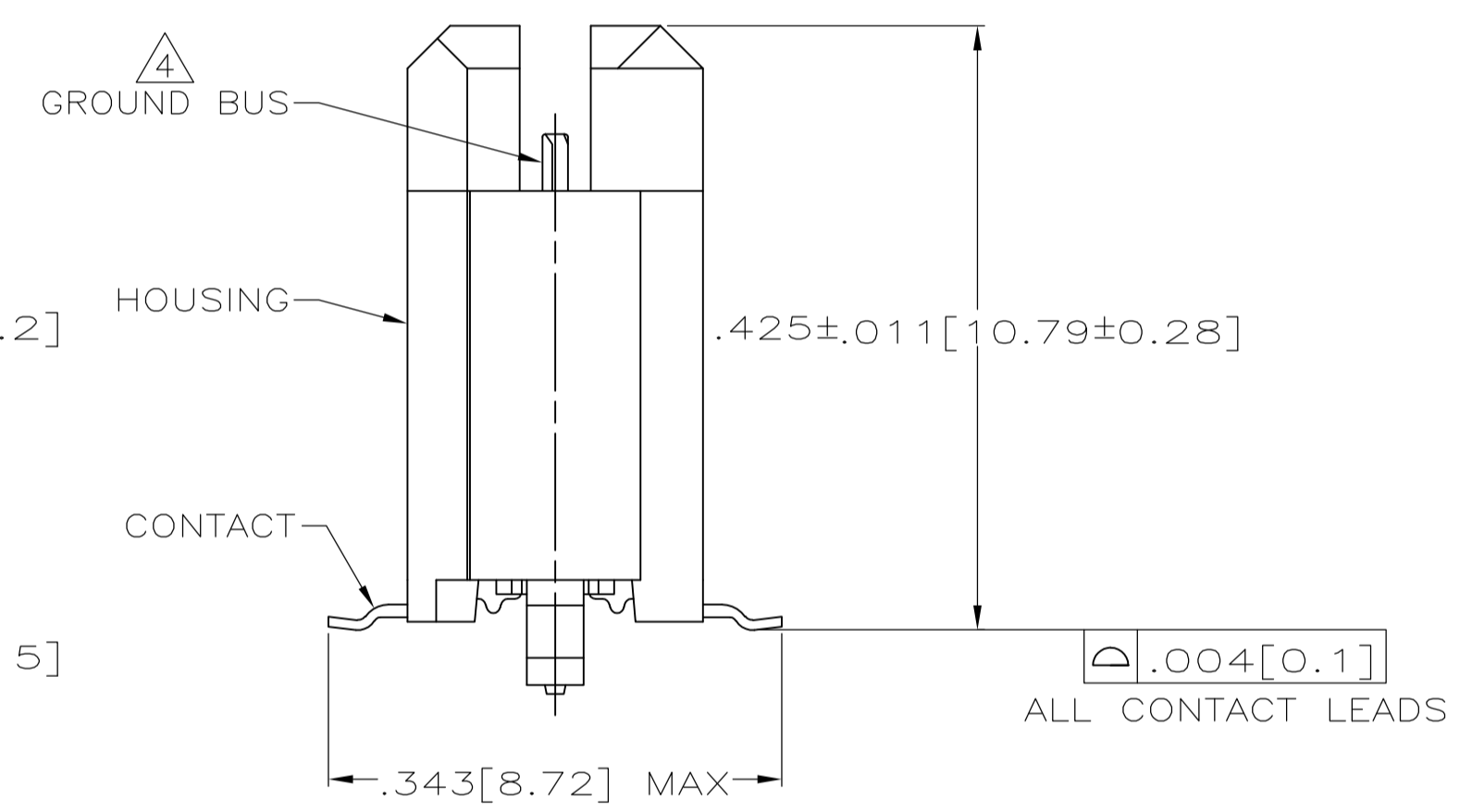
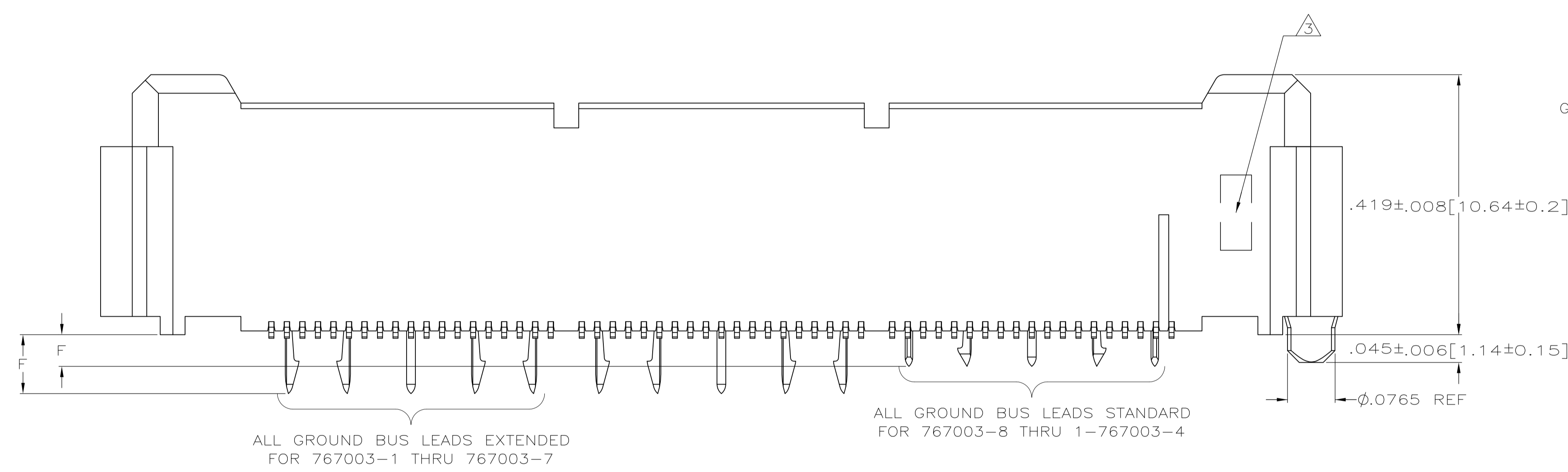


- ① HOUSING: LIQUID CRYSTAL POLYMER, COLOR BLACK.  
CONTACTS: HIGH RELIABILITY COPPER ALLOY.  
GROUND BUSES: PHOSPHOR BRONZE ALLOY, UNS C51100.
- ② CONTACTS & GROUND BUSES: NICKEL UNDERPLATE ALL OVER, MATING SURFACE PLATED TO MEET LEVEL 1 PERFORMANCE REQUIREMENTS OF TE PRODUCTION SPECIFICATION 108-1422, SOLDER TAILS PLATED TIN-LEAD.
- ③ DATE CODE MARKED IN AREA INDICATED ON SAME SIDE AS POSITION #1.
- ④ ONE GROUND BUS WITH 5 TAILS PER EACH MODULE.
- ⑤ TOLERANCE NON-ACCUMULATIVE.
- ⑥ FOR SLIP-FIT APPLICATIONS, ORIENTATION HOLE TO BE  $\phi.079\pm.001[2.00\pm0.03]$ .



BUS LEADS TYPE	F	E	D	C	B	A	NO OF POS	PART NUMBER
STANDARD	.060[1.52]	3.000[76.2]	6	3.450[87.63]	3.898[99]	4.000[101.6]	266	1-767003-4
STANDARD	.060[1.52]	2.500[63.5]	5	2.950[74.93]	3.398[86.31]	3.500[88.9]	228	1-767003-3
STANDARD	.060[1.52]	2.000[50.8]	4	2.450[62.23]	2.898[73.61]	3.000[76.2]	190	1-767003-2
STANDARD	.060[1.52]	1.000[25.4]	2	1.450[36.83]	1.898[48.21]	2.000[50.8]	114	1-767003-1
STANDARD	.060[1.52]	.500[12.7]	1	.950[24.13]	1.398[35.51]	1.500[38.1]	76	1-767003-0
STANDARD	.060[1.52]	.000[0]	0	.450[11.43]	.898[22.81]	1.000[25.4]	38	767003-9
STANDARD	.060[1.52]	1.500[38.1]	3	1.950[49.53]	2.398[60.91]	2.500[63.5]	152	767003-8
OBsolete EXTENDED	.104[2.64]	3.000[76.2]	6	3.450[87.63]	3.898[99]	4.000[101.6]	266	767003-7
OBsolete EXTENDED	.104[2.64]	2.500[63.5]	5	2.950[74.93]	3.398[86.31]	3.500[88.9]	228	767003-6
OBsolete EXTENDED	.104[2.64]	2.000[50.8]	4	2.450[62.23]	2.898[73.61]	3.000[76.2]	190	767003-5
OBsolete EXTENDED	.104[2.64]	1.500[38.1]	3	1.950[49.53]	2.398[60.91]	2.500[63.5]	152	767003-4
OBsolete EXTENDED	.104[2.64]	1.000[25.4]	2	1.450[36.83]	1.898[48.21]	2.000[50.8]	114	767003-3
OBsolete EXTENDED	.104[2.64]	.500[12.7]	1	.950[24.13]	1.398[35.51]	1.500[38.1]	76	767003-2
OBsolete EXTENDED	.104[2.64]	.000[0]	0	.450[11.43]	.898[22.81]	1.000[25.4]	38	767003-1

RECOMMENDED PC BOARD LAYOUT (VIEWED FROM CONNECTOR SIDE)

THIS DRAWING IS A CONTROLLED DOCUMENT.

DIMENSIONS: INCHES	TOLERANCES UNLESS OTHERWISE SPECIFIED:	APVD: A. MONK	NAME: Tyco Electronics Corporation
0 PLC ± -	1 PLC ± -	2 PLC ± -	3 PLC ± -
4 PLC ± .005(0.13)	ANGLES ± -	PRODUCT SPEC: 108-1422	APPLICATION SPEC: 114-11004
MATERIAL: ①	FINISH: ②	SIZE: A1	SCALE: 8:1
CUSTOMER DRAWING		WEIGHT: -	REV: AC